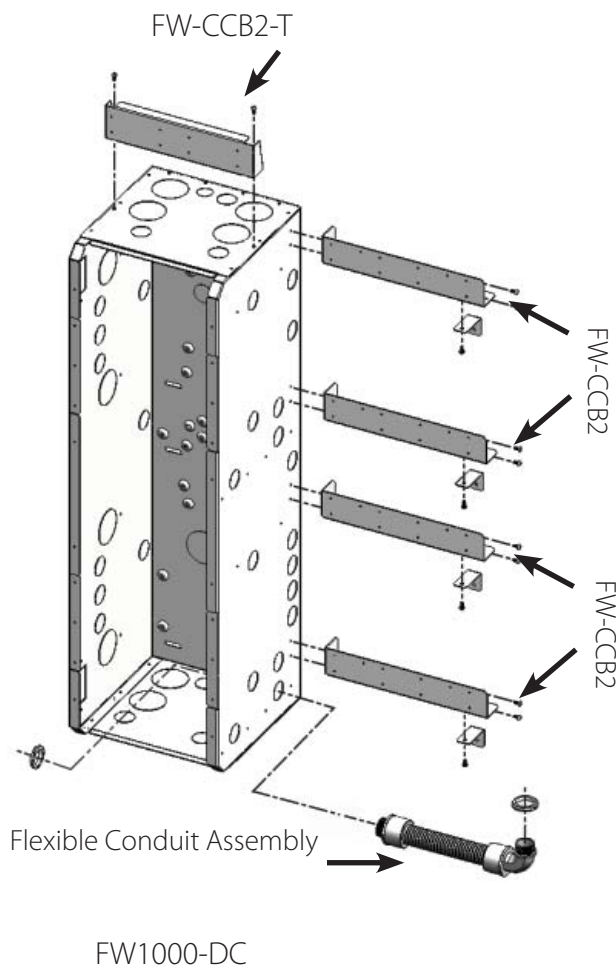


The FLEXware Charge Control Brackets are designed to secure the MX Charge Controller to either the side or top of a FLEXware 1000 DC enclosure (FW1000-DC) or the FLEXware 500 DC enclosure (FW500-DC). The brackets secure to each enclosure with sheet metal screw fasteners included in each hardware kit. A single bracket is used for mounting an MX Charge Controller to the top of each enclosure and a pair is used for each MX attached to an enclosure side. Tighten each Charge Control Bracket securely before attaching an MX.

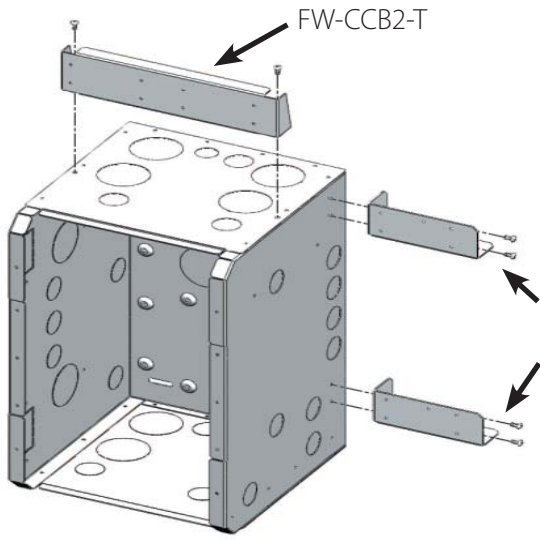


FW-CCB2-T Parts List

- One bracket
- Sheet metal screw fasteners
- Two sets of Conduit Nipple Assemblies

FW-CCB2 Parts List

- Two brackets
- Sheet metal screw fasteners
- Two feet
- One Conduit Nipple Assembly
- One Flexible Conduit Assembly



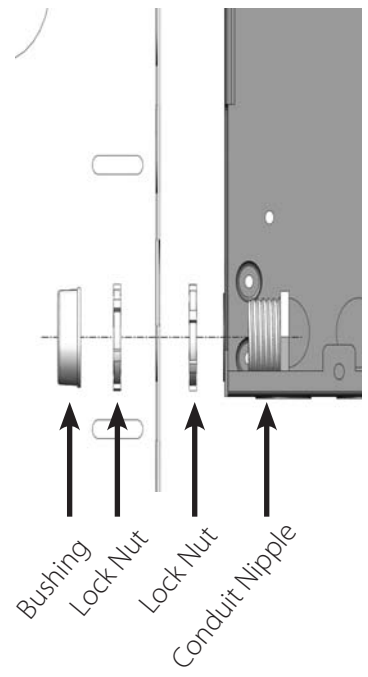
FW-CCB2-T

FW-CCB

- FW-CCB Parts List
- Two brackets
 - Sheet metal screw fasteners
 - One Conduit Nipple Assembly

FW500-DC

Conduit Nipple Assembly



MX Charge Controller

The Conduit Nipple Assembly creates a sealed pass-through from the MX Charge Controller to the FLEXware enclosure.