

# ~~Extreme~~™ Series



## MARINE PRODUCT DATA SHEET

OEM: 5901-0201  
 AFTERMARKET: 5901-0211

The Smart Sensor 5.7 is designed specifically for cruisers and midsize yachts. Delivering over 5 GPM and pressure up to 60 PSI, this micro-controller based variable speed pump precisely monitors your system's water pressure and adjusts the motor speed, eliminating the need for an accumulator tank.

### TYPICAL APPLICATIONS

Multi-fixture marine fresh water installations. Other uses may included 12V DC pressurized water systems in cabins This pump may be used for general water transfer. For other applications, contact SHURflo.

### PUMP

Type: 5 Chamber Diaphragm  
 Ports: Quick Connect Fittings.  
 Liquid: 130 °F [54 °C] Max  
 Prime: 6 feet [1.82 M]  
 Inlet PSI: 30 PSI [2.1 Bar] Max  
 Run Dry: Yes

### ELECTRICAL

Motor: 12VDC Permanent Magnet, Intermittent Duty  
 Protection: Thermal Overload, Automatic Restart  
 Leads: 14 AWG, 16" [40 cm] Red +, 13" [33 cm] Black -  
 Fuse: 15 Amp Recommended  
 Control: Microprocessor PWM Pressure Switch  
 Shut-Off: Voltage Variant, Factory Set at 65 PSI [4.4 Bar] @ 12VDC ± 5 PSI [0.4 Bar]

### MATERIALS

Housing: Nylon  
 Valves: EPDM  
 Diaphragm: Santoprene  
 Hardware: Stainless Steel

### APPROVALS

Ignition Protected, CE, ISO 8846

### WARRANTY

3 Year Limited Warranty  
 See SB-1041 & SB-1050 For Full Warranty Details

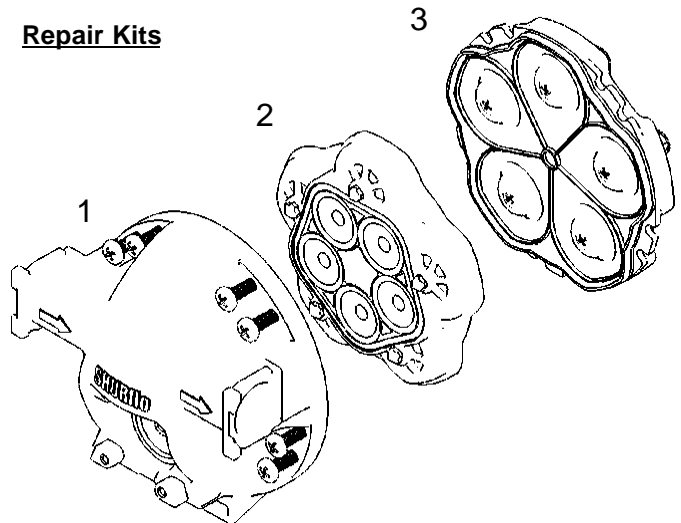
### SHIPPING

Net Weight (Boxed): 8.5 Lb [3.9 Kg] each  
 Carton Weight: 6 each, 51 Lb [24 Kg]  
 Carton Size: 25"L x 19"W x 8"H  
 [63 cm x 49 cm x 21 cm]

### RELATED DOCUMENTS

Catalog: MS-030-140  
 Installation Manual: 911-621  
 Maintenance: 911-621  
 Applications Spec Guide: MS-020-005  
 Warranty: SB-1050

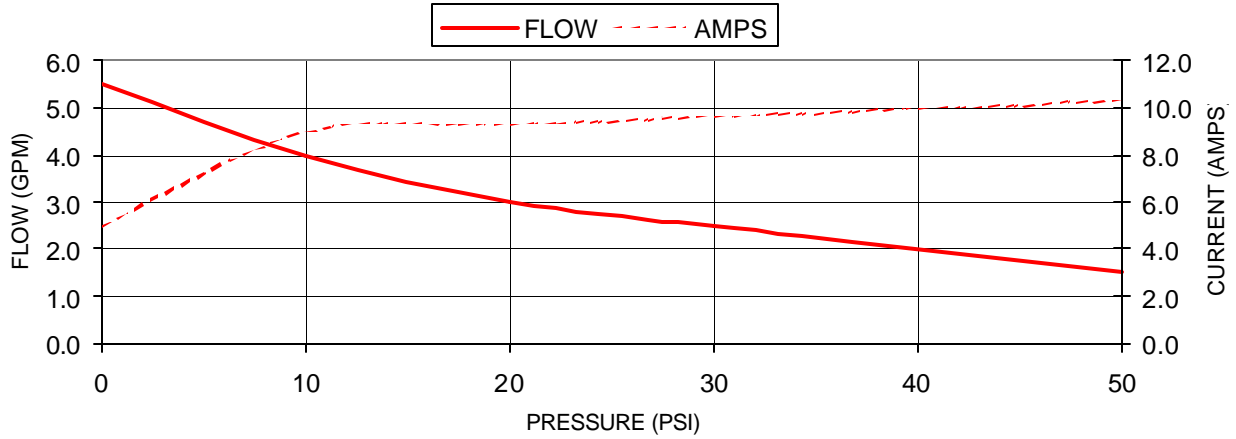
### Repair Kits



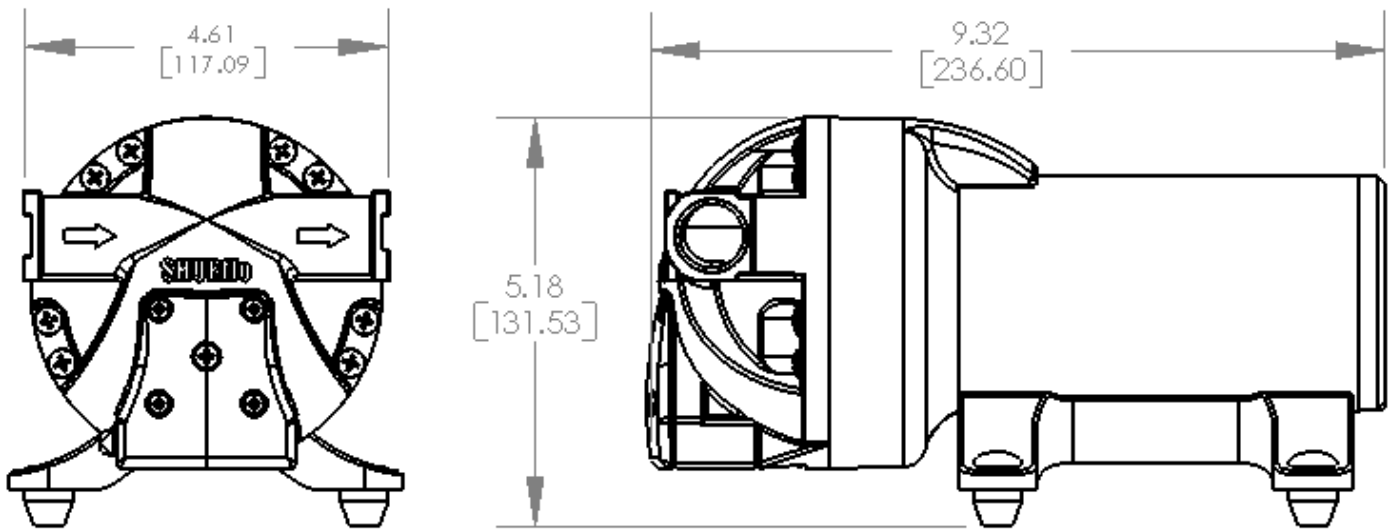
Number	Components	Parts Kits
1	Upper Housing	94-670-02
2	Valve Assembly	94-030-01
3	Drive Assembly	94-030-02

PERFORMANCE @ 12V DC

PRESSURE		FLOW		CURRENT
BAR	PSI	GPM	LPM	AMPS
0.0	0	5.5	20.8	5.0
0.7	10	4.0	15.1	9.0
1.4	20	3.0	11.3	9.6
2.1	30	2.5	9.46	9.4
3.5	50	1.5	5.67	10.3



DIMENSIONS [mm]



SHURflo reserves the right to update specifications, prices, or make substitutions.



**SHURflo, LLC Headquarters**

5900 Katella Avenue  
 Cypress, California 90630  
 Phone (562) 795-5200 • Toll Free (800) 854-3218  
 Fax (562) 795-7564

**SHURflo, LLC East**

52748 Park Six Court  
 Elkhart, Indiana 46514-5427  
 Phone (562) 795-5200 • Toll Free (800) 854-3218  
 Fax (574) 264-2169

**SHURflo Europe, Middle East, Africa**

**Pentair Water Belgium bvba,**  
 Industriepark Wolfstee, Toekomstlaan 30  
 B-2200 Herentals, Belgium  
 Phone +32-14-283500 • Fax +32-14-283505