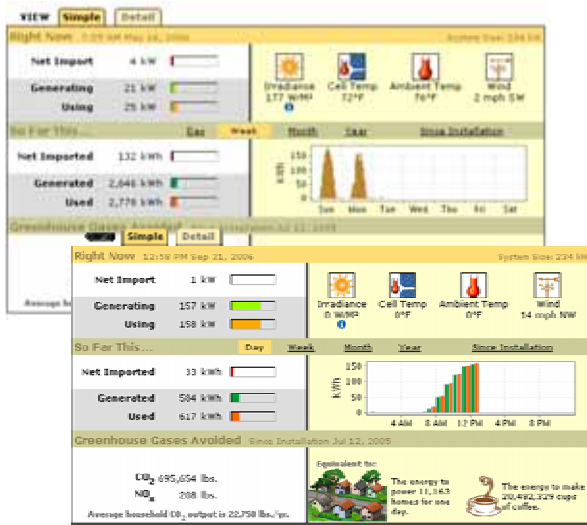


Visualizing and communicating the performance and environmental benefits of your PV system has never been easier than it is now with SatCon Power Systems' PV View™. PV View™ is a web-enabled data monitoring system available as an integrated option with all SatCon PowerGate™ inverters.

Connecting to the Internet via a local LAN or cellular modem, the system provides complete real-time performance data as well as long-term historical system data and graphs. PV View™ also has a variety of optional environmental and weather station capabilities. This information is stored and processed on a remote web server and is available from anywhere on the web through the PV View™ web portal.



### Simple Internet Monitoring

Access your system information from anywhere • includes 5-year data processing and web hosting

### Easy Installation

Gateway and power supplies pre-installed in PowerGate™ inverters • No software to install • Connects via LAN or optional cell phone modem

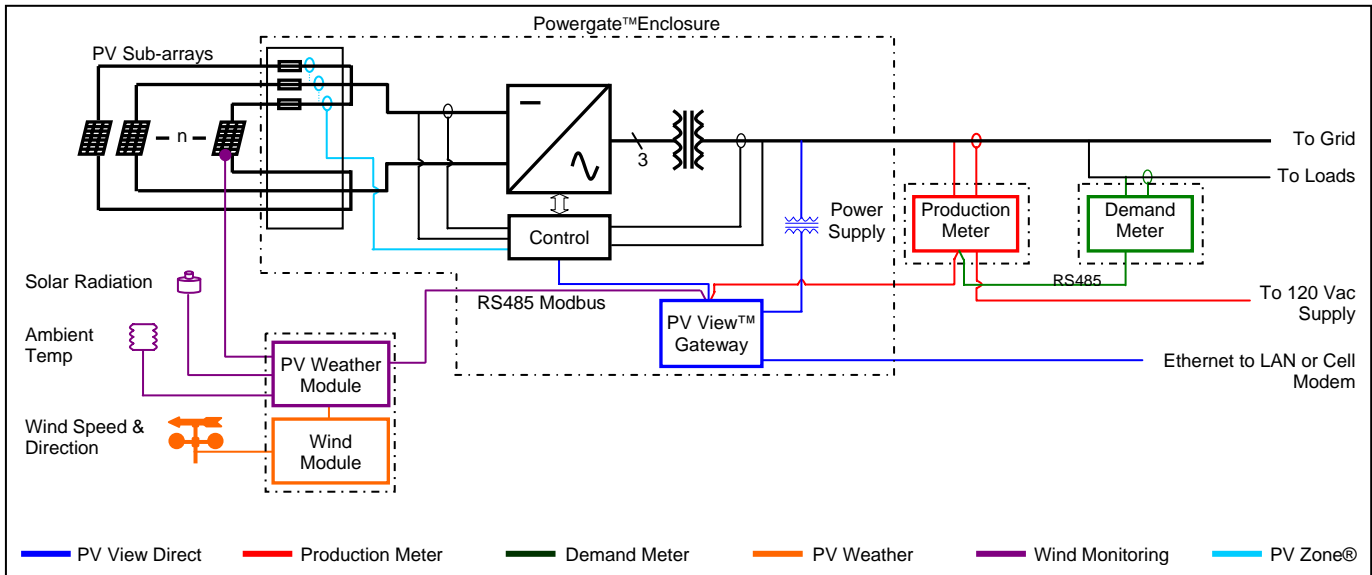
### Improved System Performance

Determine quickly if your system is down or underperforming • Optimize net metering

### Options Include

PV Zone® sub-array monitoring • Revenue grade production and demand metering • Solar radiation, module and ambient temperature monitoring • Wind speed and direction monitoring

### Single Line Diagram:

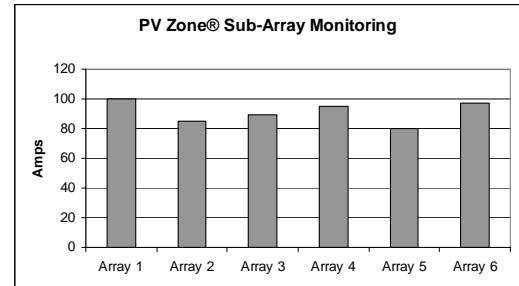


## Standard Parameters Monitored

DC voltage and current and AC voltage, current and kW are displayed as both instantaneous values and daily, weekly or monthly graphs. Cumulative kWhrs generated is available as daily, weekly, monthly and lifetime totals.

## **PV Zone®** Option

PV Zone® monitors the current of each PV sub-array circuit allowing detailed array performance monitoring. Under-performing array zones can be isolated to amp blocks, simplifying field troubleshooting and providing early detection of array performance problems. PV Zone® requires the purchase of the PV sub-array combiner option and PV View™ monitoring.



### Other Options:

- Revenue grade production and building demand meters
- Meteorological monitoring
- Cell phone modems and other communication options

### Ordering Information:

Part #	Description
CC00302	PV View™ Direct - standard base monitoring package - includes inverter-integrated communications gateway, power supplies and 5 years monitoring and web hosting
SF00030	Additional Inverter Monitoring - adds 5 years of monitoring and web-hosting for a second PowerGate™ Inverter
Inverter Specific	PV Zone® Monitoring - adds sub-array current monitoring - requires purchase of inverter-integrated sub-array combiner and PV View Direct
CC00327	Revenue Grade PV Production Monitoring, daisy-chained, (208V) - See Note 1
CC00307	Revenue Grade PV Production Monitoring, daisy-chained, (480V) - See Note 1
CC00308	Building Demand Monitoring - Standalone (208V) - See Notes 1 & 2
CC00328	Building Demand Monitoring - Standalone (480V) - See Notes 1 & 2
CC00304	PV Weather - includes ambient and module temp. and solar insolation transducers, See diagram
CC00305	Wind Speed and Direction - adds anemometer and wind direction transducers to CC00304
CC00334	Cell Phone Modem - Service not included - consult SatCon for details
CC00395	External Antenna Option, Cell modem
CC00336	Network Hub, 5 port

Note 1: Independent revenue grade meter in a separate weatherproof enclosure. Communicates to PV View Direct gateway via RS485 daisy-chain. Includes required external solid-core current transformers up to 300 Amps - split core or larger current transducers not included - consult SatCon for details. Does not include local display.

Note 2: Communicates via a separate communications gateway rather than RS 485. Requires a separate LAN connection and 120 volt power source.