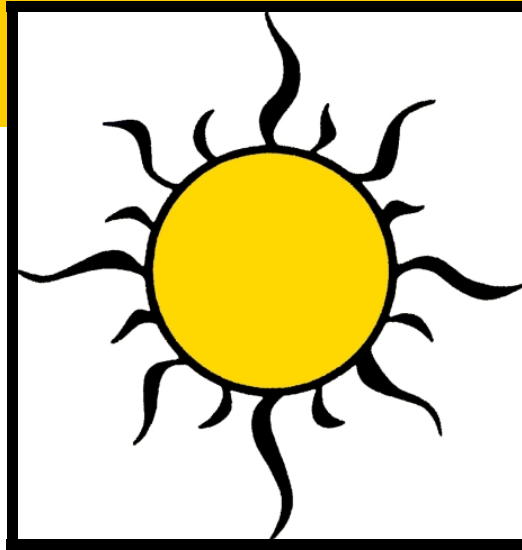


WILEY ELECTRONICS LLC

Product Pricing List 2009

Acme PV Peripheral Products



Acme Products Include:

- Acme Cable Clips
- Acme Conduit Entry
- Acme Solar Site Evaluation Tool
- Washer, Electrical Equipment Bond

Date: 08/01/2009

WILEY ELECTRONICS LLC

Table of Contents

Wiley Electronics LLC Business Overview	4
New Product: Acme Conduit Entry Unit	5
Acme Conduit Entry Unit	6
ACE & ASSET	8
ACC & ACC-PV	9
WEEB Lug 6.7, 8.0 & 8.2	10
WEEB Bonding Jumper 6.7 , 8.0 & 8.2	11
WEEB-UMC, PMC & DMC	12
WEEB-WMC, DPF, CSG	13
WEEB-9.5, 9.5NL, 11.5	14
WEEB-SMC, KMC, CMC	15



Wiley Electronics LLC

Our Mission:

Wiley Electronics is dedicated to the advancement of clean, renewable sources of energy to meet today's increasing demand.

Research and Development:

Wiley Electronics works with manufacturers and installers to design products that address the evolving needs of the PV industry. These products enable our customers to install PV systems safely, efficiently and cost effectively. Check out our website for more information at www.we-llc.com.

Quality:

We are confident you will find that our products unsurpassed in quality, ingenuity and reliability. We quality check each and every product that is engineered at our facility with great detail.

**Address: PO Box 361
Saugerties, NY 12477**

**Office Phone: 845-247-3852
Sales Phone: 845-633-2065
Fax Number: 845-839-2792
Sales E-Mail: heather@we-llc.com**

WILEY ELECTRONICS LLC

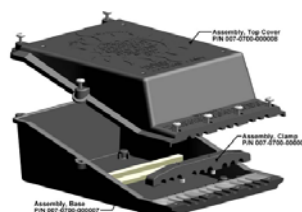
New Product

ACE Acme Conduit Entry



Pass Through List Price: \$89.00

Part #: ACE-PT

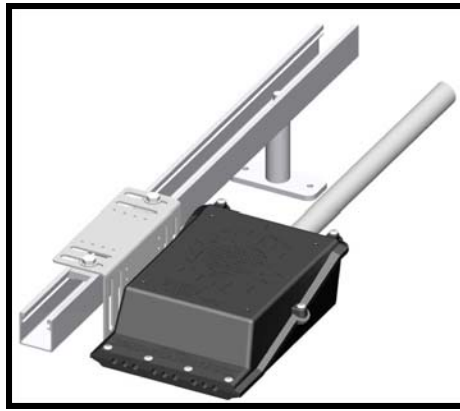


Acme Conduit Entry Unit

The ACE makes quick and simple transitions from PV array wire to conduit protected building wire. The conduit entry features a compact two-piece UV resistant enclosure that allows ample wiring space and is compatible with any conduit type. The unique wire entry seals the enclosure even if entry slots are unused. Convenient side and bottom conduit drillouts allow for easy conduit routing. The cover comes with captive screws for hassle-free assembly. The ACE can also function as a string combiner.

Acme Conduit Entry

- The ACE can be used as either a pass-through or a string combiner.
- Parts include: Mounting Bracket, 2 WEEB 9.5NL's and 4 Ace Mounting Screws.



Typical Roof Mount Install



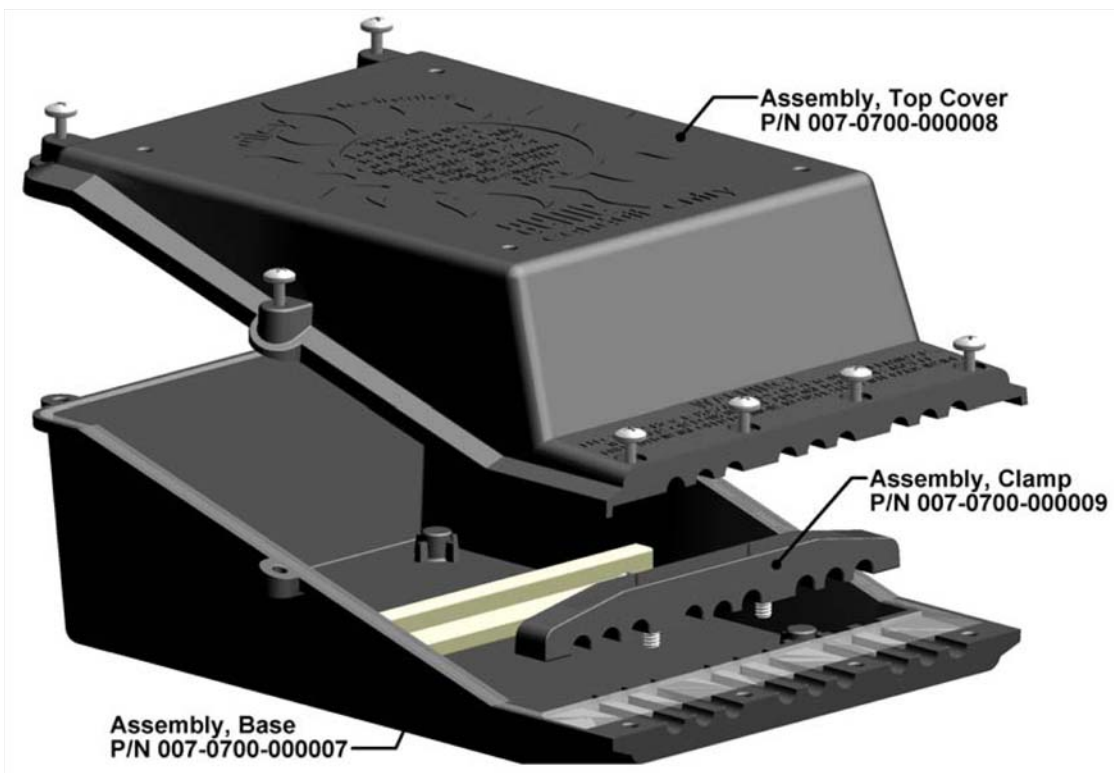
Typical Top of Pole Install

The table below shows the devices required for the different desired configurations.

	ACE-PT	ACE-1P	ACE-2P	ACE-3P	ACE-4P	ACE-2C	ACE-3C	ACE-4C
Terminal Block	N/A	2	4	6	8	2	2	2
Terminal Block Internal Bus	N/A	N/A	N/A	N/A	N/A	N/A	1 X 2-Pole	1 X 2-Pole
Fuse Holder	N/A	N/A	N/A	N/A	N/A	Not required for 2-string combiner	3	4
Fuse Combiner Bus	N/A	N/A	N/A	N/A	N/A	N/A	1 x 3-Pole	1 x 4-Pole
Grounding Terminal	Not required when DIN rail is removed	1	1	2	2	1	2	2

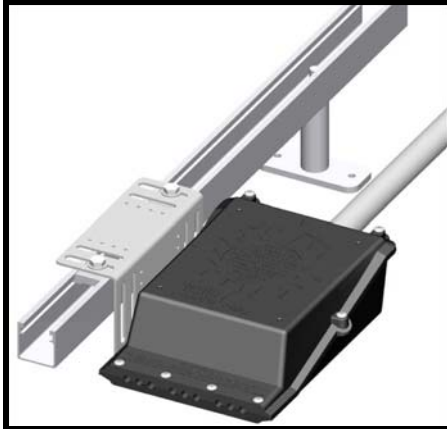
Acme Conduit Entry Model Pricing

Product Model: ACE-PT	List Price: \$ 89.00
Product Model: ACE-1P	List Price: \$110.00
Product Model: ACE-2P	List Price: \$115.00
Product Model: ACE-3P	List Price: \$126.00
Product Model: ACE-4P	List Price: \$132.00
Product Model: ACE-2C	List Price: \$110.00
Product Model: ACE-3C	List Price: \$200.00
Product Model: ACE-4C	List Price: \$225.00



To Order Call: 845-633-2065

Combiner Boxes



List Price: \$ 89.00

Product #: ACE-PT

Acme Conduit Entry (ACE)

The ACE can be used as either a pass-through or a string combiner. Parts include: Mounting Bracket, 2 WEEB 9.5NL's and 4 Ace Mounting Screws. Configurations: ACE-PT, ACE-1P, ACE-2P, ACE-3P, ACE-4P, ACE-2C, ACE-3C, ACE-4C

Included in the Pass Through Assembly:

- 1 Mounting Bracket
- 2 WEEB 9.5NL
- 4 ACE Mounting Screws

Site Evaluation Tool



List Price: \$599.00

Product #: ASSET

Acme Solar Site Evaluation Tool (ASSET)

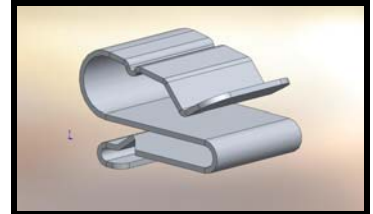
The ASSET is a system for quantifying shading at a site. It consists of a precise positioning system, a digital camera, and software for PC's.

- Low cost digital camera to capture skyline
- Positioning system to rotate camera about focal point
- Custom software
 - versions for PC
 - assembles panorama
 - overlays sun path
 - average position for each month
 - hour lines are solar time (no daylight savings)
 - analyzes for shading
 - energy capture using PVWatts software
 - database of historical data for 239 cities across the United States
 - derating factors for system inefficiencies for fixed, 1 or 2 axis tracking installations

Wire Management Clips

Acme Cable Clip (ACC)

Stainless steel cable clip for wire management.



- 1 or 2 USE-2 wire & 1 PV wire (5.0 to 5.4mm)
- Made with corrosion resistant 300 series stainless steel
- Dual wire compartments
- Special tab for easy installation and removal with flat-head screwdriver
- Designed to prevent damage to cable insulation

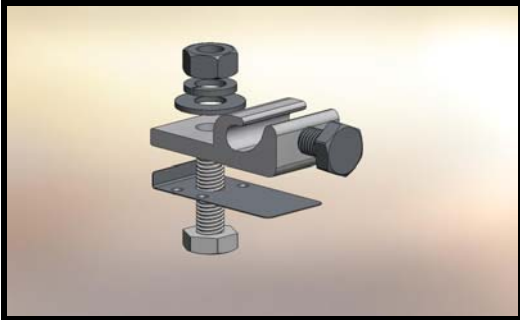
Acme Cable Clip—PV (ACC-PV)

Stainless steel cable clip for wire management.



- Holds 1 or 2 PV wires (6.8 to 7.2mm)
- Prevents damage to insulation
- Dual wire compartments
- Made with corrosion resistant 300 series stainless steel
- Special tab for easy installation and removal with flat-head screwdriver
- Designed to prevent damage to cable insulation

Lugs

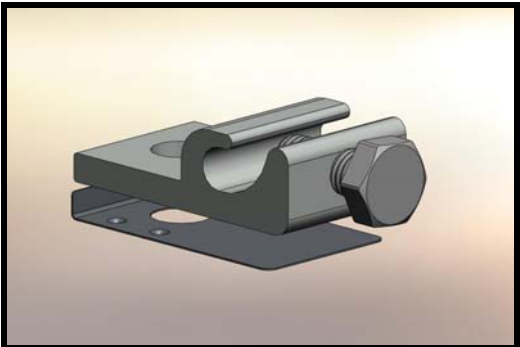


Lay In Lug With 1/4 Inch Mounting Hole

WEEB Lug-6.7 ensures reliable connection to any metal rail. Lug comes complete with 1/4" hardware and WEEB 6.7.

List Price: \$5.25

Product #: WEEBL 6.7

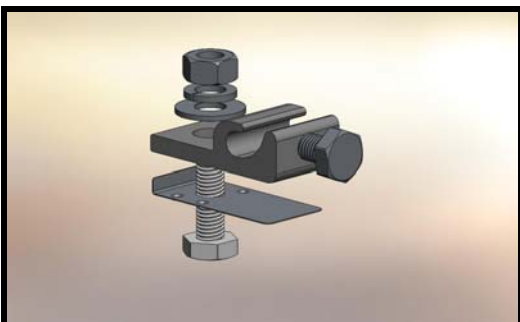


Lay in Lug with 8.0mm Mounting Hole

WEEB Lug-8.0 ensures reliable connection to any metal rail. For use with Schuco rails.

List Price: Please Contact Schuco

Product #: WEEBL 8.0



Lay In Lug With 8.2mm Mounting Hole

WEEB Lug 8.2 ensures a reliable connection to any metal rail. Lug comes with Quickstone Hardware. The hole allows for 8.2mm hardware.

List Price: Please contact Conergy

Product #: WEEBL 8.2

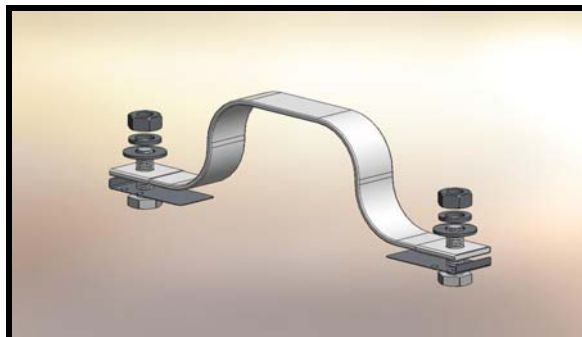
Bonding Jumpers

WEEB-Bonding Jumper 6.7

Flexible electrical connection between mechanically spliced rails. Jumper comes complete with 1/4" hardware and WEEB 6.7.

List Price: \$7.75

Product #: WEEB BJ 6.7

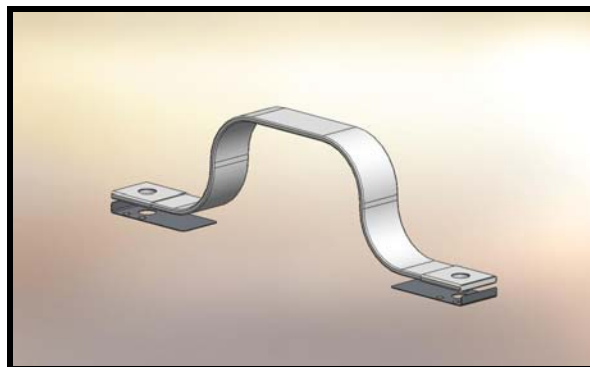


WEEB Bonding Jumper 8.0

Flexible electrical connection between mechanically spliced rails. Specific to Schuco rails. WEEB 8.0 is included. No other hardware is supplied. 8.0mm hardware is allowed.

List Price: Please contact Schuco

Product #: WEEB BJ 8.0

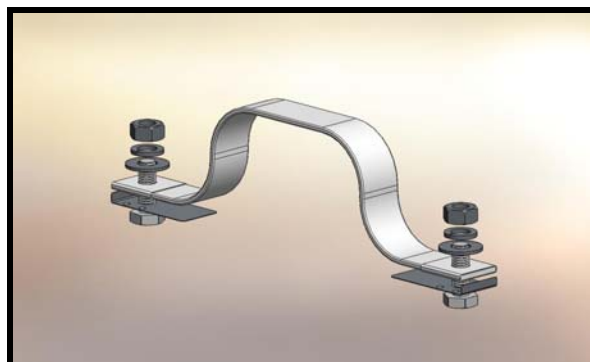


WEEB Bonding Jumper 8.2

Flexible electrical connection between mechanically spliced rails. Specific to Conergy Rails. Quickmount hardware is included. 8.2mm hardware allowed.

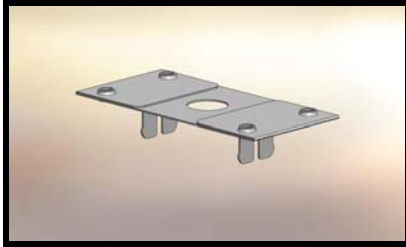
List Price: Please contact Conergy

Product #: WEEB BJ 8.2



Top Mounting WEEBs

Module-to-Rail Grounding for UniRac Solar Mount



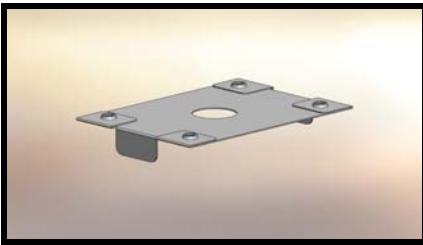
WEEB UMC

Electrical Equipment Bonding Washer for placement between the module and the rail at mid-clamps of UniRac SolarMount.

List Price: \$2.00

Product #: WEEB UMC

Module-to-Rail Grounding for Pro Solar Mount



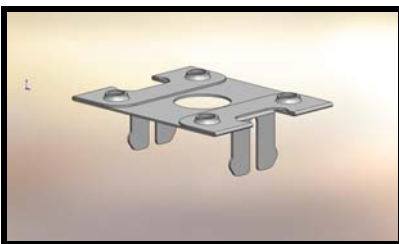
WEEB PMC

Electrical Equipment Bonding Washer for placement between the module and the rail at mid-clamps of Pro Solar rails.

List Price: \$2.00

Product #: WEEB PMC

Module-to-Rail Grounding for Direct Power & Water Mount



WEEB DMC

Electrical Equipment Bonding Washer for placement between the module and the rail at mid-clamps of Direct Power & Water rails. Also for Ironridge rails and low lipped modules on the UniRac SolarMount rail.

List Price: \$2.00

Product #: WEEB DMC

WILEY ELECTRONICS LLC

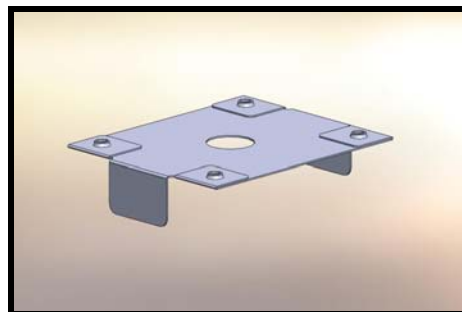
Module-to-Rail Grounding

WEEB WMC

Electrical Equipment Bonding Washer for placement between the module and the rail at mid-clamps of Thompson Technology and Unistrut rails.

List Price: \$2.00

Product #: WEEB WMC



Flexible WEEB

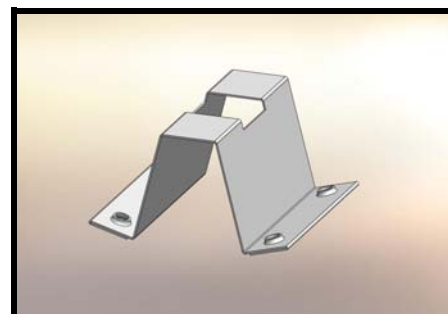
Module-to-Rail Grounding

WEEB DPF

Electrical Equipment Bonding Flexible Washer for placement between the module and the rail at the mid-clamps on a DP&W Power Grid CRS rail and GE rail.

List Price \$2.00

Product #: WEEB DPF



WEEB and Wedge Solution

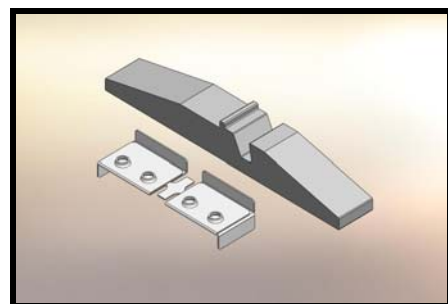
Module-to-Rail Grounding

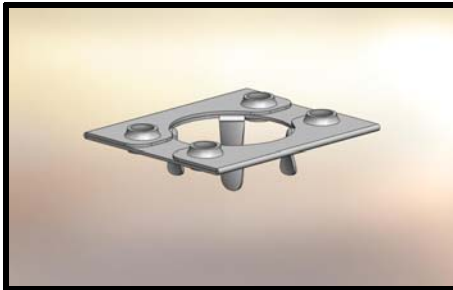
WEEB CSG & Wedge

Electrical Equipment Bond Washer and Wedge for Conergy SolarGiant

List Price: Please contact Conergy

Product # WEEB CSG



Bottom Mounting WEEBs**Module-to-Rail Grounding for Pole and Ground Mounts****WEEB 9.5**

Electrical Equipment Bonding Washer for placement between the module and the rail at the attachment points of Pole and Ground mounts. Allows for 1/4" to 5/16" hardware.

List Price: \$1.50

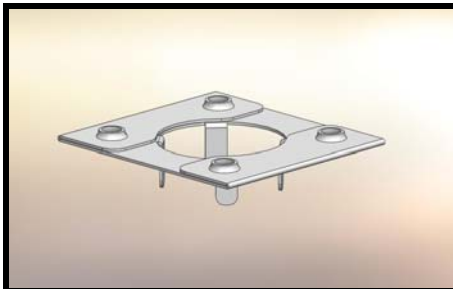
Product #: WEEB-9.5

Module-to-Rail or Rail to Rail Grounding**WEEB 9.5NL**

Electrical Equipment Bonding Washer, with no retention features, for placement between the module and the rail at the attachment points of Pole and Ground mounts and bolted connections. Allows for 3/8" hardware.

List Price: \$1.50

Product #: WEEB-9.5NL

Module-to-Rail or Rail to Rail Grounding**WEEB 11.5**

Electrical Equipment Bonding Washer for placement between the mounting rail and attachment points of Pole, Ballasted Tray and Ground mounts. Allows for 3/8" hardware.

List Price: \$2.00

Product #: WEEB-11.5

WILEY ELECTRONICS LLC

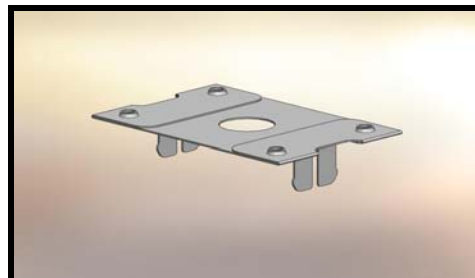
Custom WEEBs (please contact distributors)

Module-to-Rail Grounding for Schuco Mount

WEEB SMC

For use with Schuco rails
Part #: WEEB-SMC

Contact Schuco directly for information:
860-616-0179

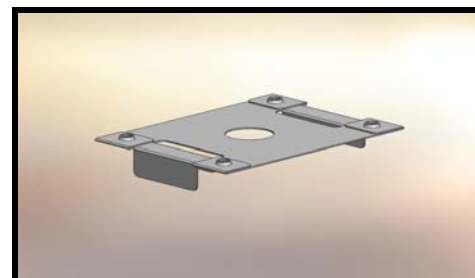


Module-to-Rail Grounding for K2 Mount

WEEB KMC

For use with Krannich K2 system.
Part #: WEEB-KMC

Contact Krannich directly for Information:
856-802-0991

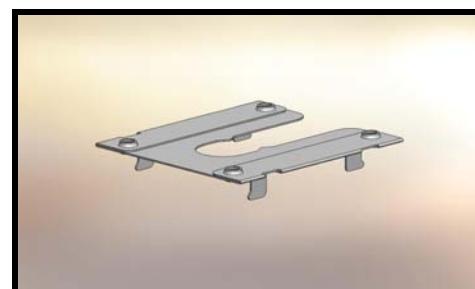


Module-to-Rail Grounding for Conergy Mount

WEEB CMC

For use with Conergy Sun Top.
Part #: WEEB-CMC

Contact Conergy directly for Information:
505-473-3800





WILEY ELECTRONICS LLC

**Address: PO Box 361
Saugerties, NY 12477**

Office: 845-247-3852

Sales: 845-633-2065

Fax: 845-839-2792

Email: heather@we-llc.com

